

2x1 feet bicolor IP41 AC powered soft light LED panel

Panel with on board AC Power Supply Unit.

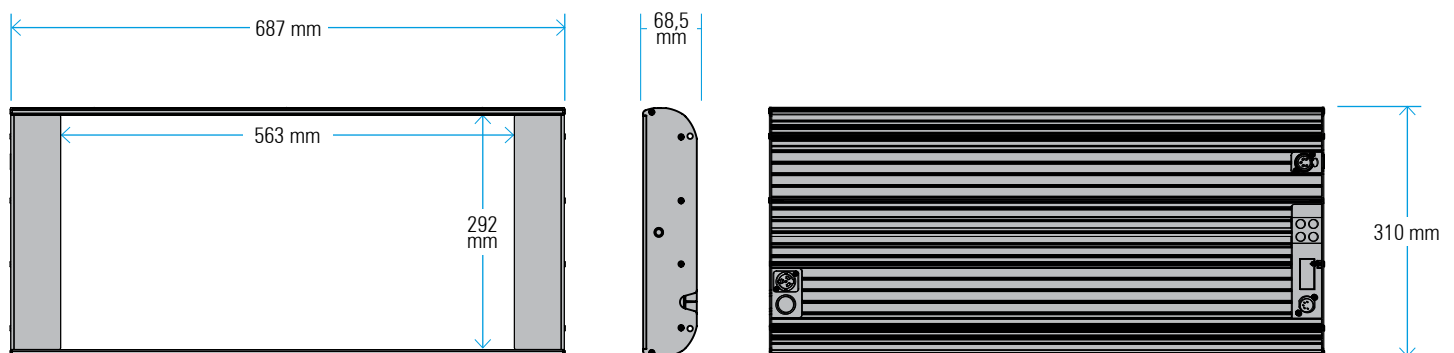


1. PowerCon TRUE1 AC IN
2. Power switch
3. XLR DMX-5 IN
4. + / - Adjustment buttons
5. 3200K / 5600K Quick access button
6. Mode selection button (Dimmer / Color temperature)
7. Digital display
8. XLR DMX-5 OUT

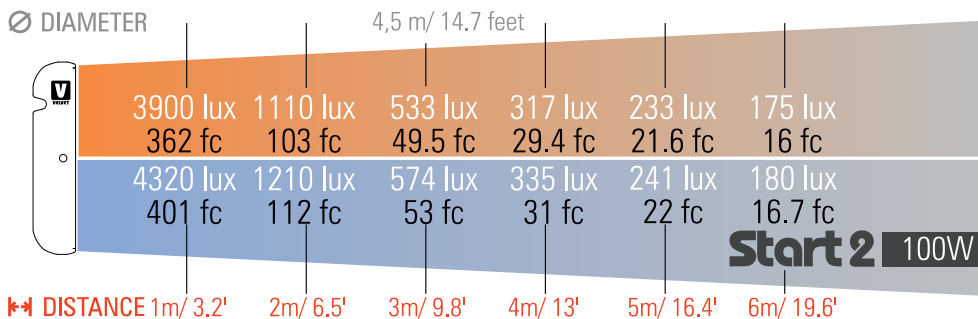
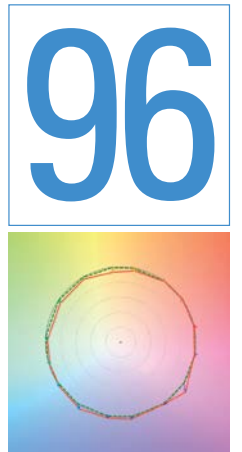
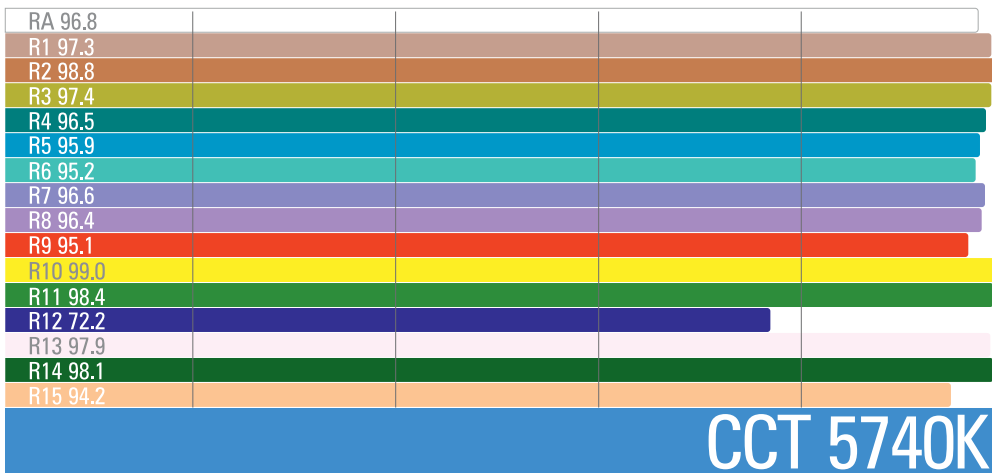
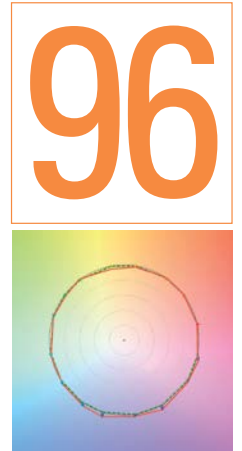


SPECIFICATIONS	
COLOUR TEMPERATURE	Continuously adjustable from 3.000K to 6.000K (100K increments)
LIGHT INTENSITY	Dimmable 0 to 100, smooth and flicker-free
LOCAL CONTROL	Shock proof buttons and display
WIRE CONTROL	DMX-RDM with XLR-5 In & Out connectors
TLCI INDEX	96 at 3270K and 96 at 5740K
PHOTOMETRICS	4320 lux / 401 fc at 1m / 3 feet 574 lux / 53 fc at 3m / 10 feet
BEAM ANGLE	100°
DIMENSIONS	687 x 310 x 68,5 / 27" x 12" x 2.6" (panel) 815 x 430 x 68 / 32" x 17" x 2.6" (panel+yoke)
WEIGHT	5,9kg / 13 lbs (panel) 6,5kg / 14 lbs (panel + yoke)
POWER DRAW	100W
POWER SUPPLY	90-264 VAC 50/60Hz
LED RATED LIFE	More than 50.000 hours L70 More than 35.000 hours L80
POWER CONNECTION	Neutrik PowerCon TRUE1 TOP In connector
OUTPUT FREQUENCY	2000 fps
OPERATION TEMPERATURE	From -20°C to +40°C
COOLING	No-noise, fan-free passive cooling
PROTECTION	IP41 index protection
VELVET LED CYC TECHNOLOGY	Selected BIN LED core unit + optic diffuser + CPU software control
RIGGING OPTIONS	aluminum yoke with 16 female combined with 28 pin, pole operated yoke, multipanels yokes
QUICK MOUNTING ACCESSORIES	Foldable SnapBag, foldable Snapgrid, removable barn doors, cordura case, hard case
CONSTRUCTION & FINISH	Black anodized extruded aluminum and black powder coated sheet aluminum

WIRE VIEW



PHOTOMETRICS



Mandatory accessories

YOKES

VP2-YT



VL2-YPO



SPIGOTS AND CLAMPS

EV-EURO28TK



THE-2816CTUBEK



V-CCLAMP



ACC-460CLAMP

POWER CABLES

ACC3.5M-TRUE1



ACC3.5M-TRUE1UK



ACC3.5M-TRUE1A



ACC3.5M-TRUE1BE



Optional accessories

BEAM CONTROL

VL2-RB



VL2-SG



VL2-SG20



VL2-SG60



VL2-SB



VL2-SGXSB



TRANSPORT

VL2-BAG



VL2-CASE



DMX CABLES

DMX-DMX2M



DMX-DMX3M



DMX-DMX6M



DMX-DMX10M



DMX-DMX20M



REMOTE CONTROL

VL-RC

