

## 2x1 feet bicolor IP41 AC powered soft light LED panel

Panel with on board AC Power Supply Unit.

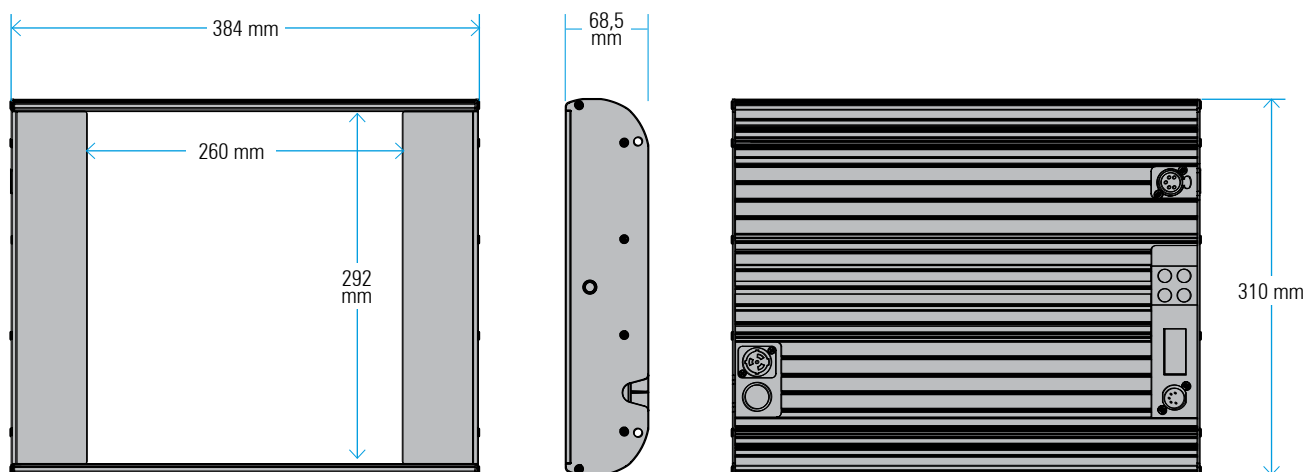


1. XLR-3 DC IN
2. Power switch
3. XLR DMX-5 OUT
4. + / - Adjustment buttons
5. 3200K / 5600K Quick access button
6. Mode selection button (Dimmer / Colour Temp)
7. Digital display
8. XLR-5 DMX IN



SPECIFICATIONS	
COLOUR TEMPERATURE	Continuously adjustable from 3.000K to 6.000K (100K increments)
LIGHT INTENSITY	Dimmable 0 to 100, smooth and flicker-free
LOCAL CONTROL	Shock proof buttons and display
WIRE CONTROL	DMX-RDM with XLR-5 In & Out connectors
TLCI INDEX	96 at 3270K and 96 at 5740K
PHOTOMETRICS	2070 lux / 192 fc at 1m / 3 feet 257 lux / 24 fc at 3m / 10 feet
BEAM ANGLE	100°
DIMENSIONS	384 x 310 x 68,5 / 15.1" x 12.2" x 2.7" (panel) 495x395x68mm / 19.5" x 15.5" x 2.7" (panel+yoke)
WEIGHT	3,5kg / 7,7 lbs (panel) 4kg / 8,8 lbs (panel + yoke)
POWER DRAW	50W
POWER SUPPLY	90-264 VAC 50/60Hz
LED RATED LIFE	More than 50.000 hours L70 More than 35.000 hours L80
POWER CONNECTION	Neutrik PowerCon TRUE1 TOP In connector
OUTPUT FREQUENCY	2000 fps
OPERATION TEMPERATURE	From -20°C to +40°C
COOLING	No-noise, fan-free passive cooling
PROTECTION	IP41 index protection
VELVET LED CYC TECHNOLOGY	Selected BIN LED core unit + optic diffuser + CPU software control
RIGGING OPTIONS	aluminum yoke with 16 female combined with 28 pin, pole operated yoke, multipanels yokes
QUICK MOUNTING ACCESSORIES	Foldable SnapBag, foldable Snapgrid, removable barn doors, cordura case, hard case
CONSTRUCTION & FINISH	Black anodized extruded aluminum and black powder coated sheet aluminum

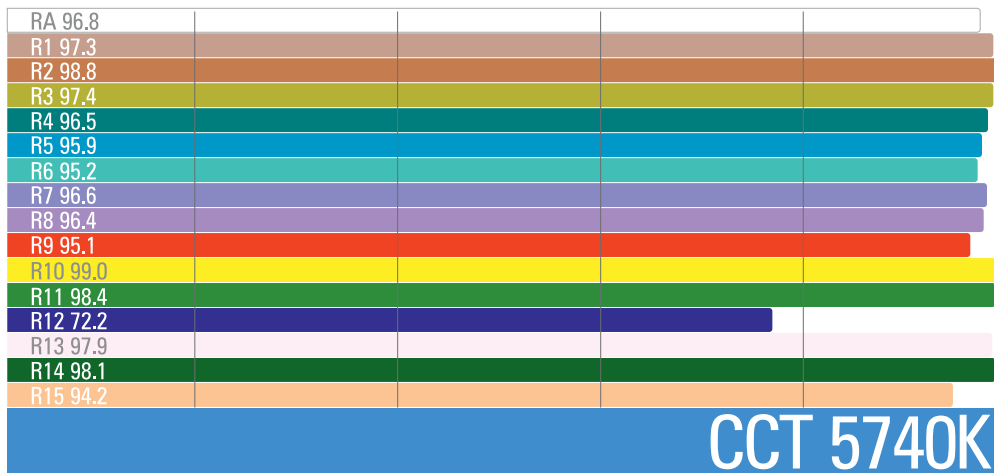
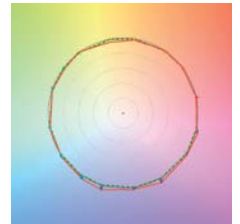
## WIRE VIEW



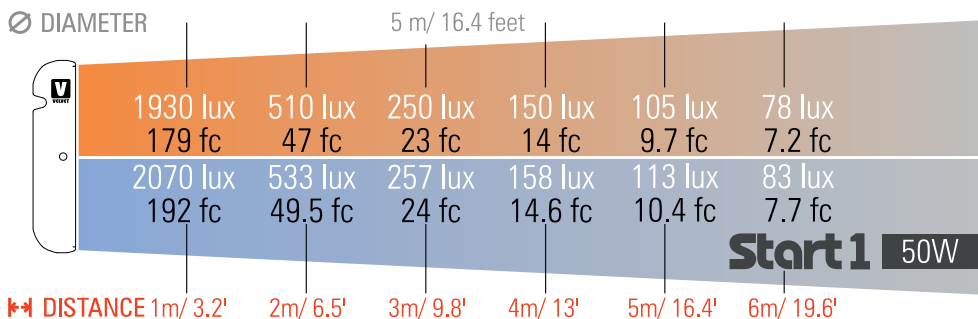
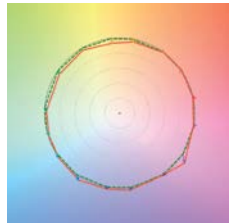
## PHOTOMETRICS



96



96



## Mandatory accessories

### YOKES

VP1-YT



VL1-YPO



### SPIGOTS AND CLAMPS

EV-EURO28TK



THE-2816CTUBEK



V-CCLAMP



ACC-460CLAMP

### POWER CABLES

ACC3.5M-TRUE1



ACC3.5M-TRUE1UK



ACC3.5M-TRUE1A



ACC3.5M-TRUE1BE



## Optional accessories

### BEAM CONTROL

VL1-RB



VL1-SG



VL1-SB



VL1-SGXSB



1X1-RABBITSQ



OCTA-SBR03



OCTA3-SG



## TRANSPORT

VL1-BAG



VL1-DBAG



VL1-TBAG

VL1-CASE



## CABLES

DMX-DMX2M



DMX-DMX3M



DMX-DMX6M



DMX-DMX10M



DMX-DMX20M



## REMOTE CONTROL

VL-RC

