

VELVET Power 2x2 30° IP54

Ref.: VP2X2IP54

Datasheet: November 2021 / Page 1



2x2 feet bicolor weatherproof concentrated long distance beam light LED panel

[Click here for more product information](#)

VP2X2IP54 includes: 1x VELVET Power 2x2 Flood 30° LED panel IP54 with DMX XLR5 in, 1x yoke with 28mm junior pin, 1x 3,5mts power cable with aerial PowerCon TRUE1



1. Power switch
2. XLR-3 DC IN
3. + / - Adjustment buttons
4. 3200K / 5600K Quick access button
5. Mode selection button (Dimmer / Colour Temp)
6. XLR-5 DMX Out
7. Digital display
8. XLR-5 DMX In

VELVET Power 2x2 30° IP54

Ref.: VP2X2IP54

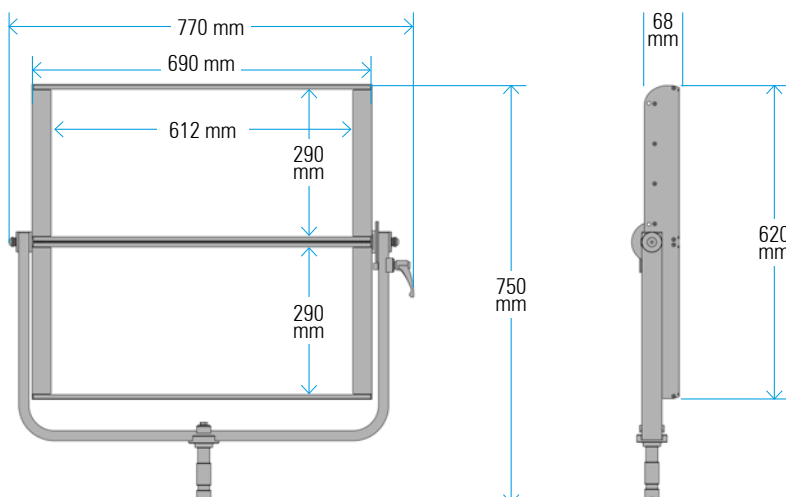
Datasheet: November 2021 / Page 2



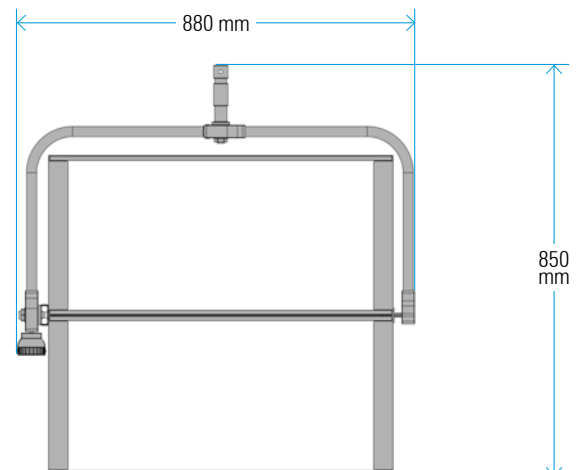
SPECIFICATIONS

COLOUR TEMPERATURE	Adjustable from 2700K a 6500K (100K increments)
LIGHT INTENSITY	Dimmable 0 to 100 (smooth and flicker-free)
LOCAL CONTROL	Shock proof buttons and display
WIRE CONTROL	DMX DMX-RDM with XLR-5 IN connector
TLCI INDEX	98 at 3200K and 96 at 5600K
PHOTOMETRICS	10000 lux / 929 fc at 3m / 9.8 feet 2260 lux / 247 fc at 6m / 20 feet
BEAM ANGLE	30° Nominal 45° With D25 filter 60° With D50 filter 105° With D100 filter 115° With DVELVET filter
DIMENSIONS	690x620x68mm / 27"x24.5"x2.7" panel 770x750x125mm / 30"x29.5"x5" panel + yoke + PSU
WEIGHT	14 kg / 31 lbs panel 16 kg / 35.3 lbs panel + yoke 20 kg / 44 lbs panel + yoke + PSU
POWER DRAW	340W (12.1 Amps at 28 VDC – 0.7 Amps at 230VAC)
POWER SUPPLY	26-28V DC 90-264V AC 50/60Hz
LED RATED LIFE	More than 50.000 hours
POWER CONNECTION	Neutrik XLR-3 DC In connector
OUTPUT FREQUENCY	2000 fps
OPERATION TEMPERATURE	From -20°C to +40°C
COOLING	No-noise, fan-free passive cooling
PROTECTION	IP54 rainproof, indoor or outdoor use
VELVET LED TECHNOLOGY	Selected BIN High-power LED + VELVET custom optics + CPU software control
CONSTRUCTION & FINISH	Made of black powdercoated extruded and sheet aluminum

VELVET Power 2x2 IP54 + M0 Yoke



VELVET Power 2x2 IP54 + P0 Yoke



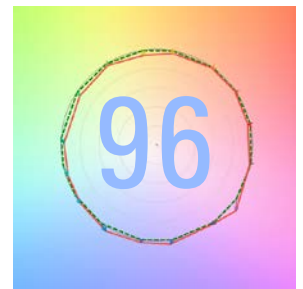
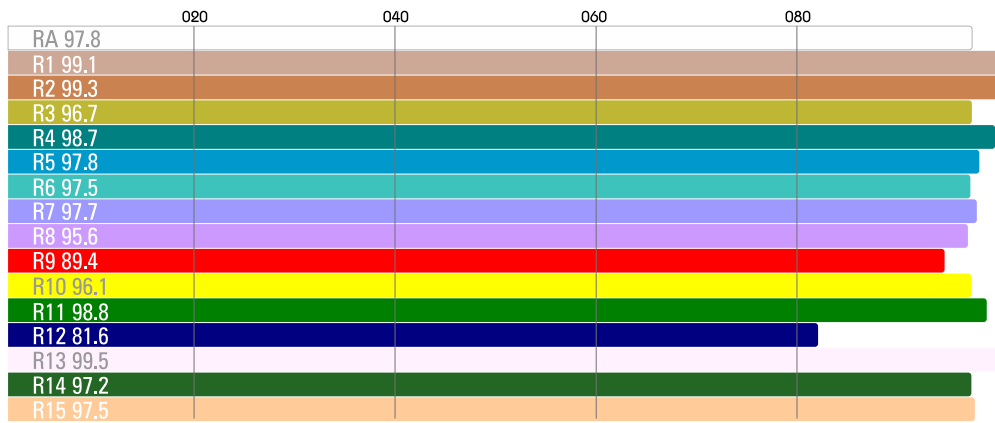
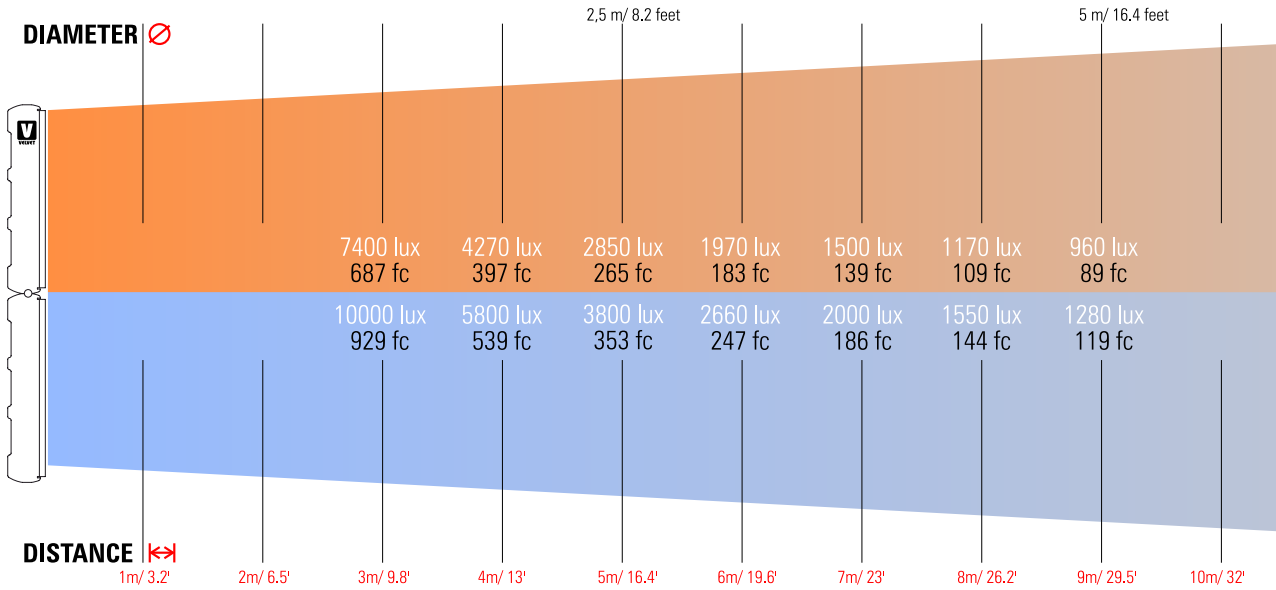
VELVET Power 2x2 30° IP54

Ref.: VP2X2IP54

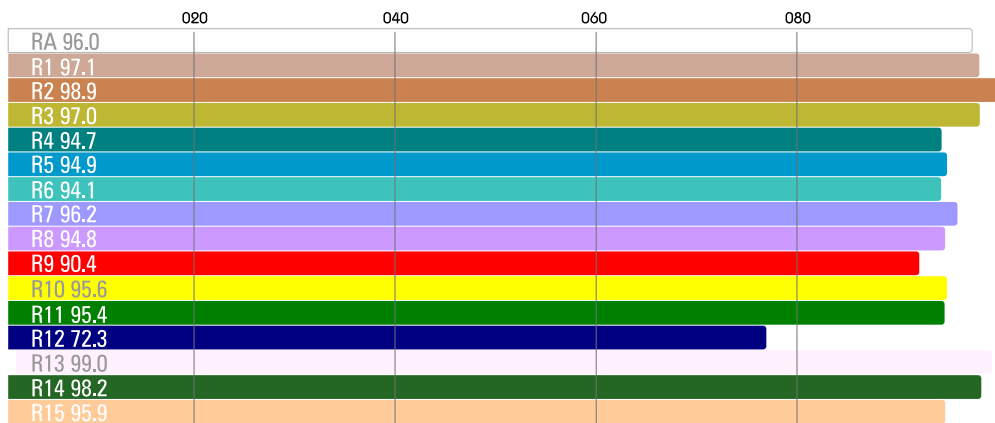
Datasheet: November 2021 / Page 3



PHOTOMETRICS



CCT 3220K



CCT 5440K

VELVET Power 2x2 30° IP54

Ref.: VP2X2IP54

Datasheet: November 2021 / Page 4



ACCESSORIES

POWER SUPPLY



VP2X2IP54-PSU

RIGGING



VL2X2-YPO

BEAM CONTROL



VL2x2-RB



VL2x2-SG



VL2x2-SG20



VL2X2-SB



VL2X2-SGXSB



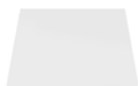
VL2X2-SPACEKIT



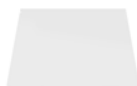
VL2x2-H



VL2x2-SLOTKIT



VP2x2-D25



VP2x2-D50



VP2x2-D100



VP2x2-DVL



VP2X2-FBAG



2X2-RABBITSQ



OCTA-SBR05



OCTA5-SG



OCTA-SBR07



OCTA7-SG

TRANSPORT



VL2x2-CASE

REMOTE CONTROL



VL-RC